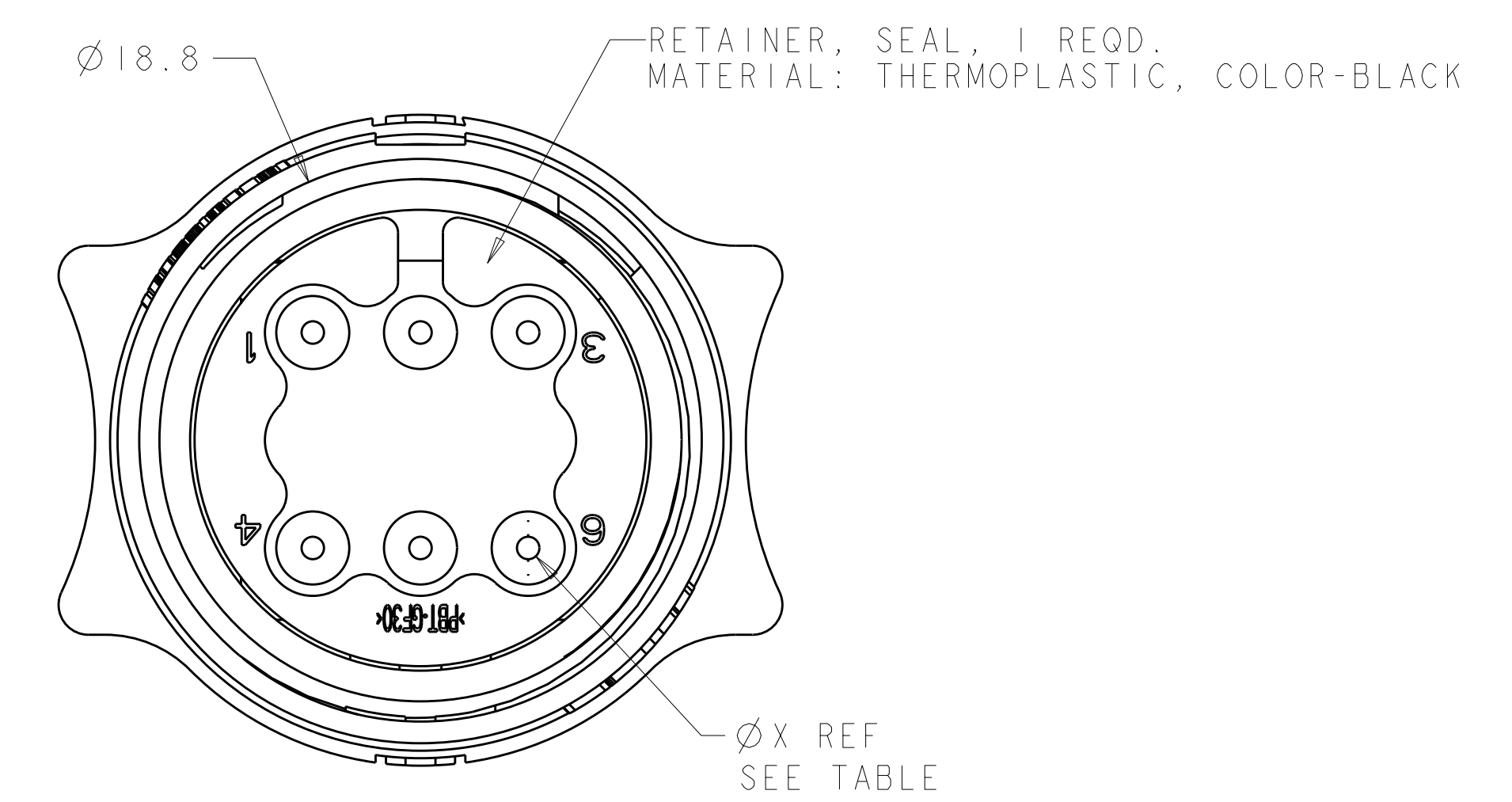
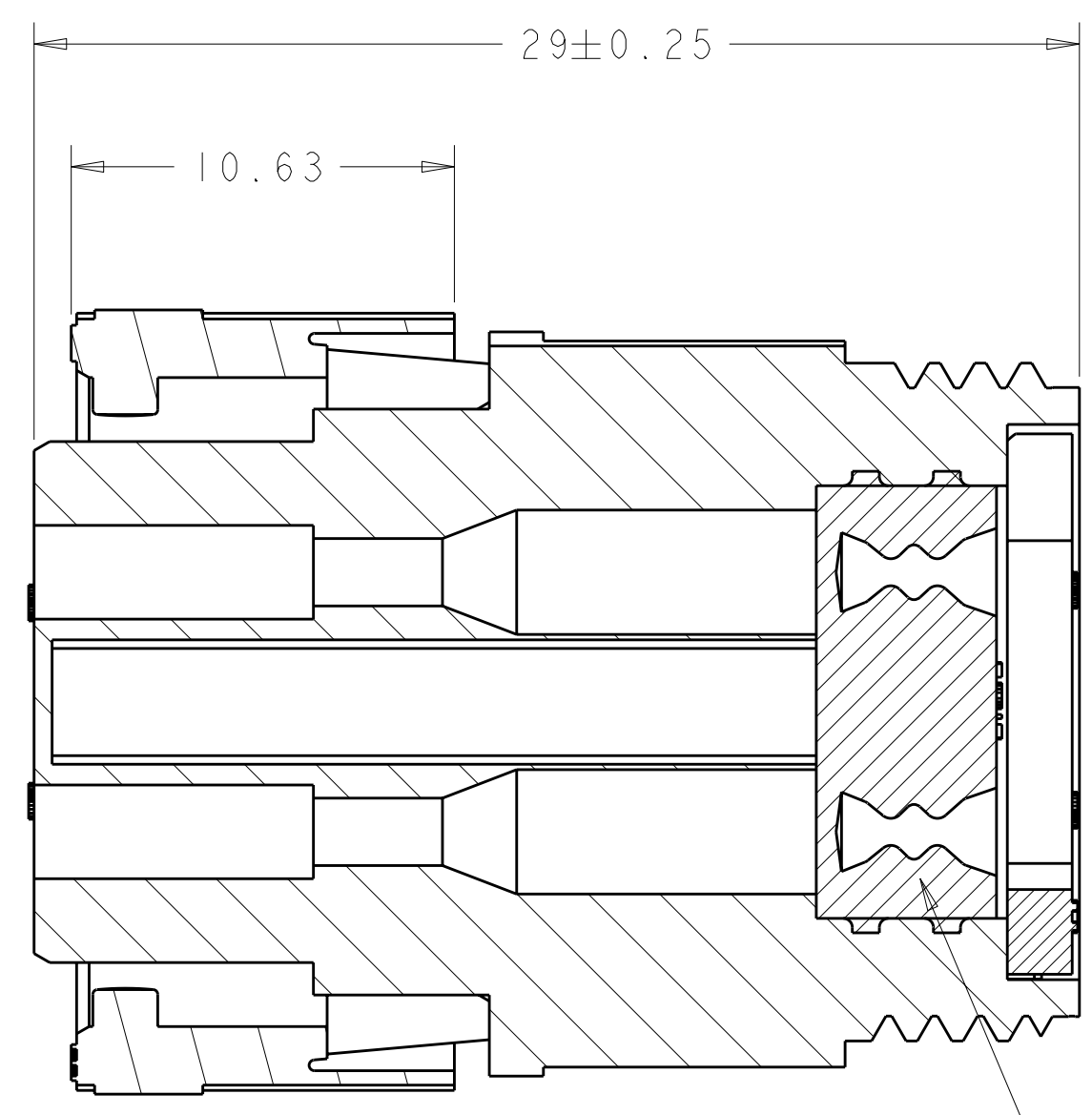
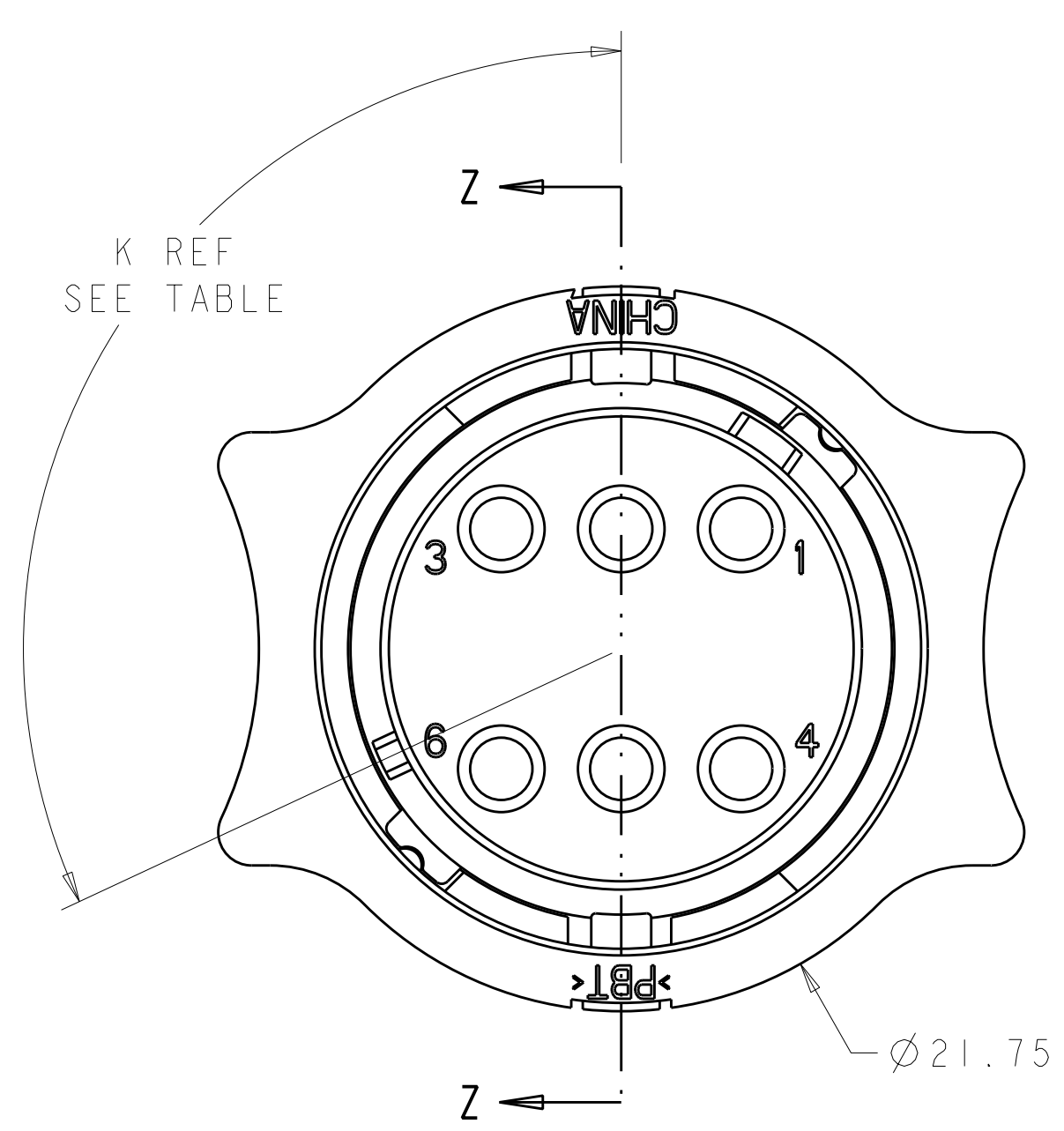
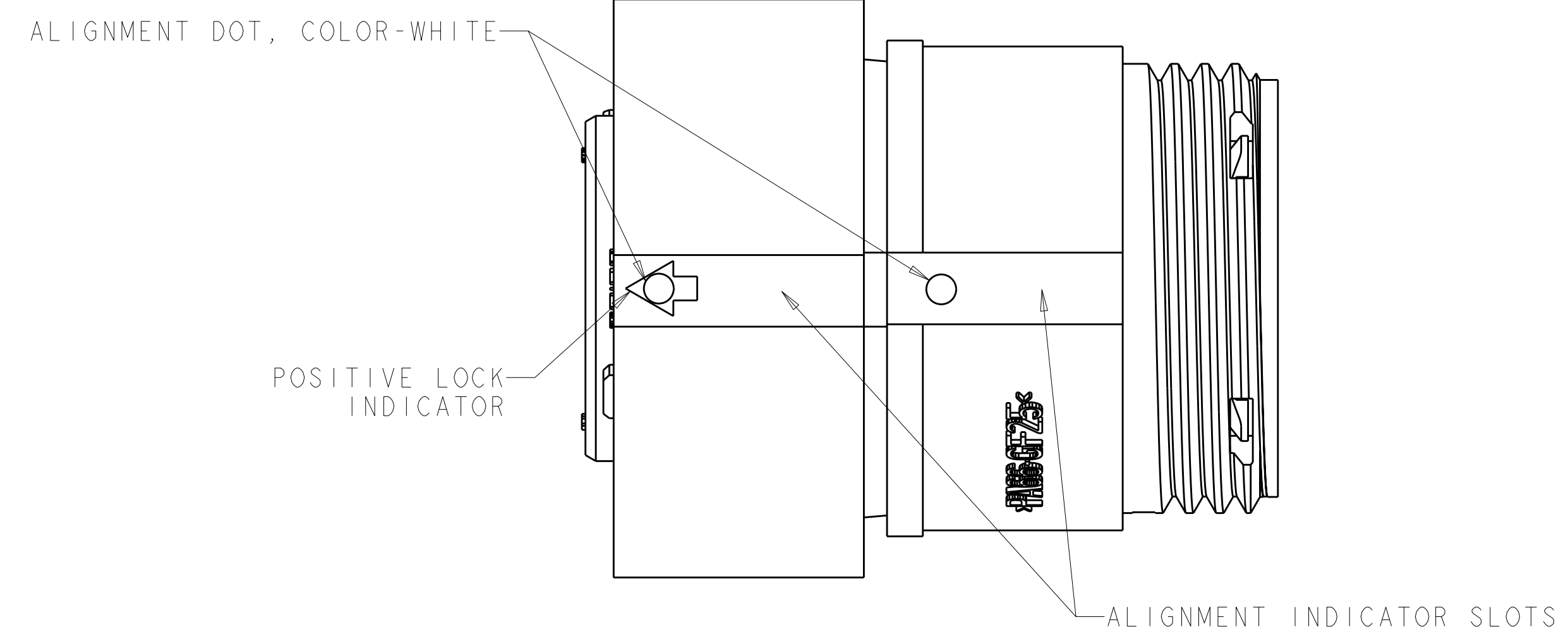
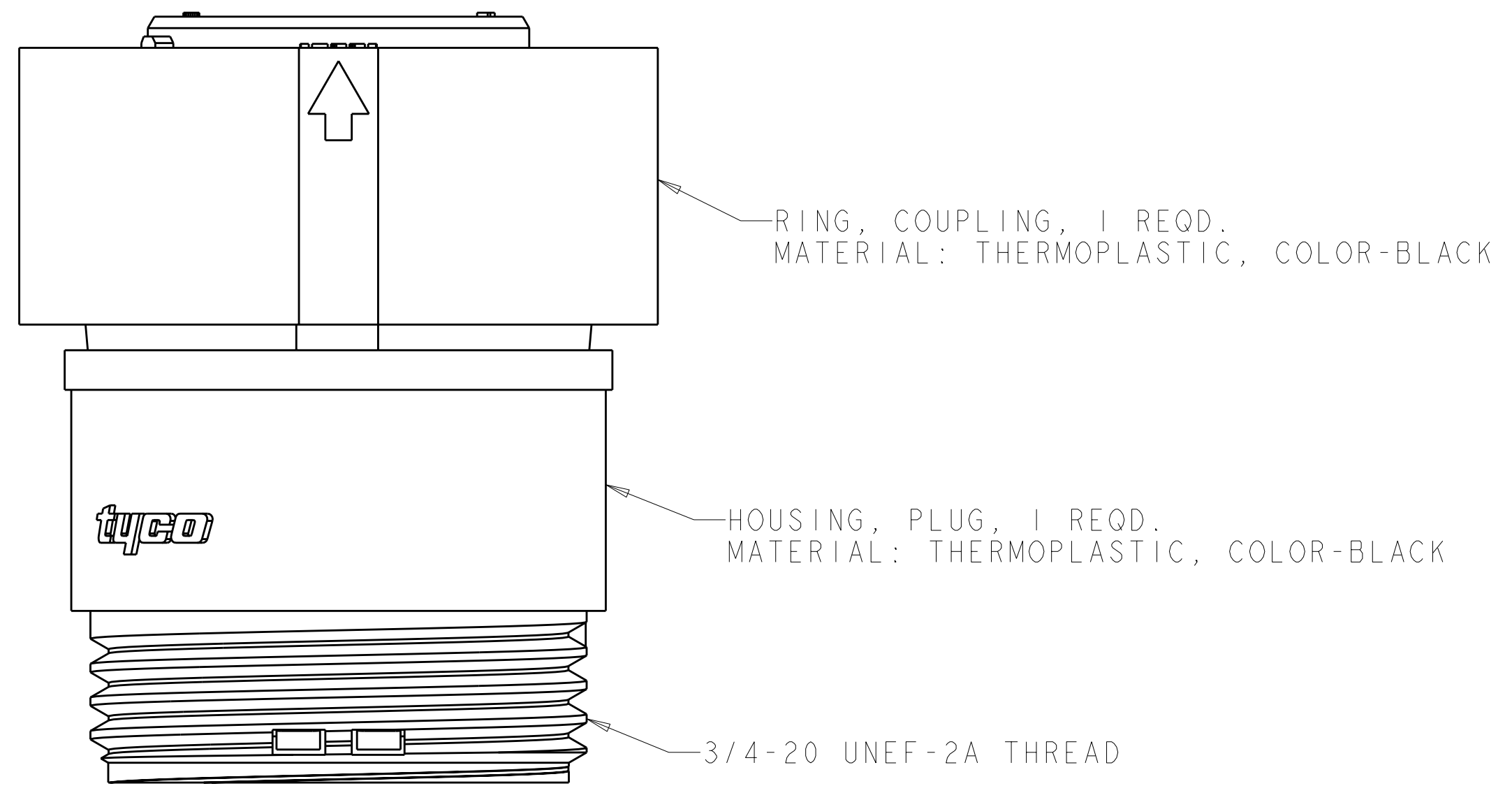


| LOC | DIST | REVISIONS | | | |
|-----|------|-----------|-----------|----|-------|
| FT | 0 | REV | DATE | BY | APP'D |
| | | A | 13JUN2003 | SW | HW |
| | | B | 24MAY2004 | SW | HW |
| | | C | 03JAN2007 | SW | DC |



SECTION Z-Z

SEAL, WIRE ENTRY, 1 REQD.
 MATERIAL: ELASTOMER, COLOR-SEE TABLE



QUALIFICATION TEST PENDING

| | | | |
|------------------------|--------|-------|-------------|
| YELLOW | Ø0.75 | 135° | 1445819-4 |
| NATURAL | Ø1.5 | 115° | 1445819-3 |
| NATURAL | Ø1.5 | 135° | 1445819-2 |
| YELLOW | Ø0.75 | 115° | 1445819-1 |
| SEAL, WIRE ENTRY COLOR | ØX REF | K REF | PART NUMBER |

| | | | |
|--|---|---|--|
| <small>THIS DRAWING IS UNPUBLISHED. RELEASED FOR PUBLICATION BY TYCO ELECTRONICS CORPORATION. ALL RIGHTS RESERVED. THIS DRAWING IS UNPUBLISHED. RELEASED FOR PUBLICATION BY TYCO ELECTRONICS CORPORATION. ALL RIGHTS RESERVED.</small> | | DWN: SHANE WUEST 16OCT2001 CHK: G. DOUTY 16OCT2001 APVD: H. WAKEEM 13JUN2003 | tyco Electronics Tyco Electronics Harrisburg, PA 17105-3608 |
| DIMENSIONS: mm | TOLERANCES UNLESS OTHERWISE SPECIFIED: 0 PLC ± 1 PLC ± 2 PLC ±0.13 3 PLC ± 4 PLC ± ANGLES ± FINISH - | NAME: ASSEMBLY, PLUG, SIZE 11, 6 POSITION, SEALED, MINI CPC PRODUCT SPEC - APPLICATION SPEC - WEIGHT - CUSTOMER DRAWING | SIZE: A1 CAGE CODE: 00779 DRAWING NO: C-1445819 SCALE: 5:1 SHEET: 1 OF 1 REV: C |